



# LIFAN

## Parts Catalog

### LF150GY-3B

2018 Edition



# UNIVERSAL

## HARDWARE®

Box 585, Center Road  
Spanish Lookout  
Tel 501 823 0254  
[sales@universalhardware.bz](mailto:sales@universalhardware.bz)

3380 Chetumal Street  
Belize City  
Tel 501 224 4140  
[salesbz@universalhardware.bz](mailto:salesbz@universalhardware.bz)



**ML100-A**



**LF110-7A**



**LF1200DT**



**ML125-5**



**ML125-7**



**ML125T-26**



**LF150-7**



**LF150GY-3B**



**LF200GY-4**



**LF250GY-4**



**LF150-10F**



**LF150-10S**



**ML200-16D**



**ML250-4**



**ML200ZH-3**

F-01 灯具 LIGHTS



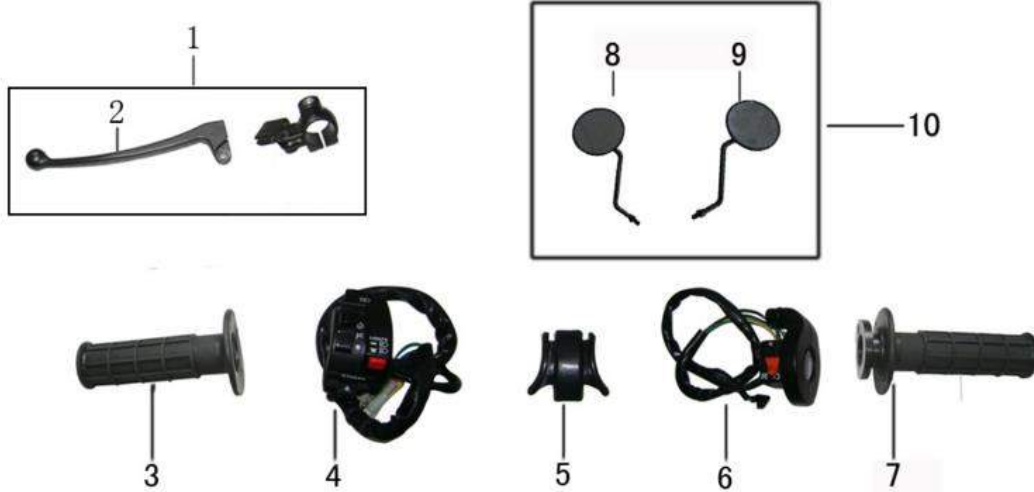
15031-1	Headlight Assy	
15031-2	Taillight Assy	
15031-3	Front Right Winker	
15031-4	Front Left Winker	
15031-5	Rear Left Winker	
15031-6	Rear Right Winker	
15031-7	Headlight Bulb 12V-35/35W	
15031-8	Bulb 12V-4W	
15031-9	Bulb 12V-10W	





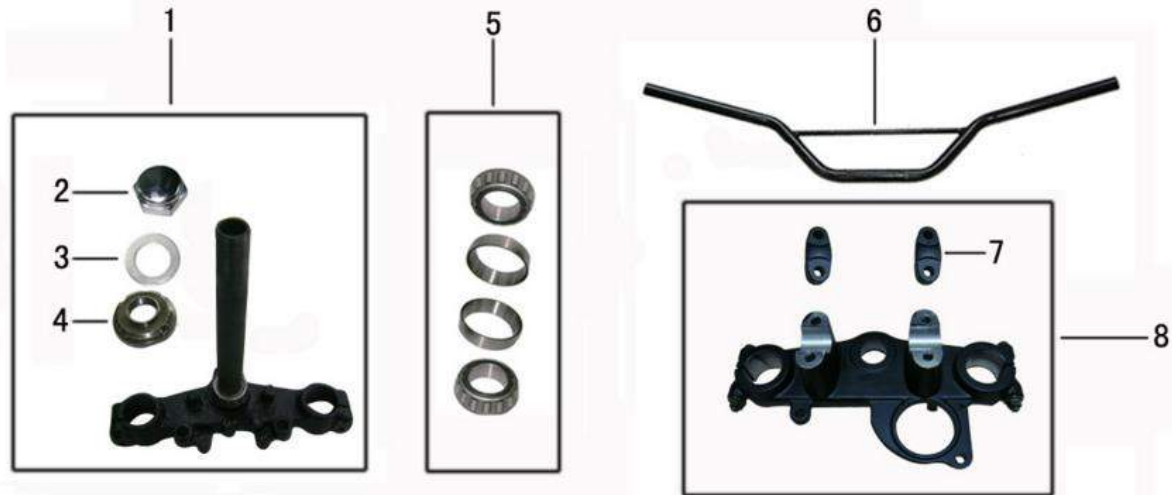
15032-1	Meter Assy	
15032-2	Bulb 12V 1.7W	
15032-3	Clutch Cable	
15032-4	Throttle Cable	
15032-5	Meter Bracket Comp	

F-03 握把 开关 GRIP & SWITCH



15033-1	Clutch Lever Comp	
15033-2	Clutch Lever	
15033-3	Grip, LH	
15033-4	Handlebar Switch, LH	
15033-5	Throttle Cable Slider Block	
15033-6	Handlebar Switch, RH	
15033-7	Throttle Grip Comp	
15033-8	Rearview Comp, LH	
15033-9	Rearview Comp, RH	
15033-10	Rearview Comp,	

F-04 方向柱组件 STEERING STEM



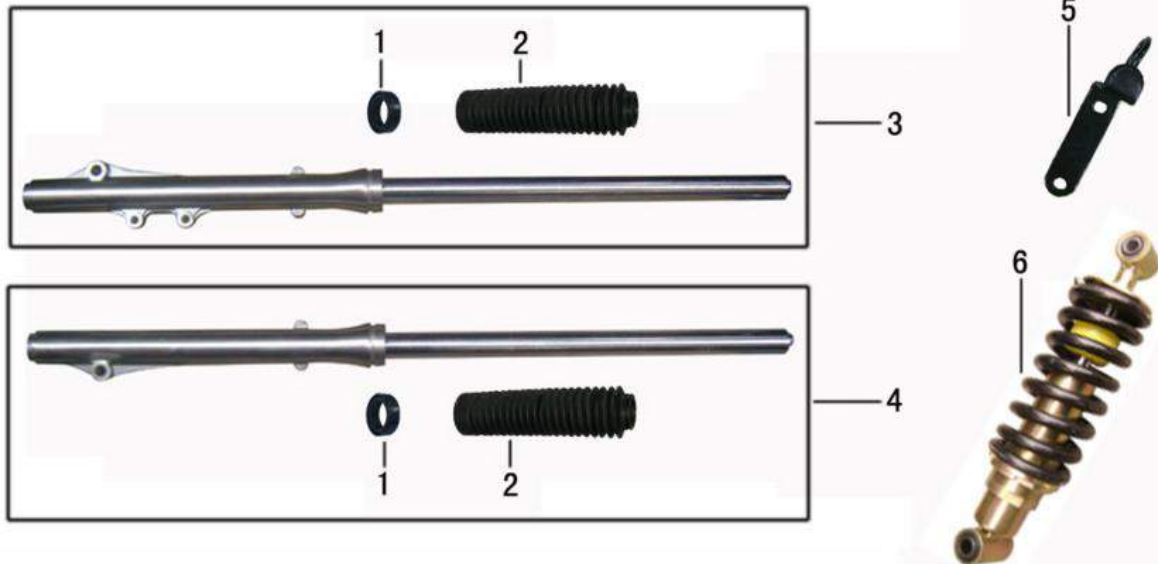
15034-1	Stem	
15034-2	LocknutSteering Stem	
15034-3	Adjusting WasherSteering Stem	
15034-4	Adjusting NutSteering Stem	
15034-5	Steering Stem Bearing Set	
15034-6	Steering Bar Pipe Comp	
15034-7	Steering Bar Holder	
15034-8	Steering Stem Head	

**F-05 前挡泥板 FRONT FENDER**



15035-1	Front Brake Hose Wire Clamp II	
15035-2	Front Brake Hose Wire Clamp	
15035-3	Front Brake Hose Stay	
15035-4R	Front Fairing - Red	
15035-4G	Front Fairing - Green	
15035-4BA	Front Fairing - Black	
15035-5R	Front Fender - Red	
15035-5G	Front Fender - Green	
15035-5BA	Front Fender - Black	
15035-6	Front Fairing Rubber Tube	

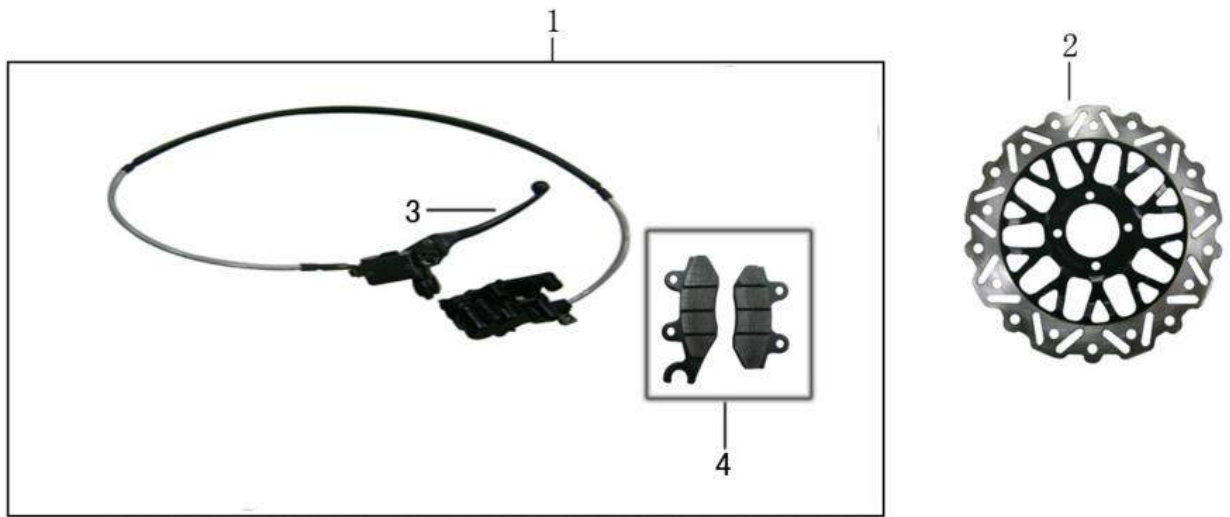
**F-06 減震器 SHOCK ABSORBER**



15036-1	Oil Seal	
15036-2	Dust Guard	
15036-3	Front Shock Absorber, LH	
15036-4	Front Shock Absorber, RH	
15036-5	Meter Flexible Cable Pipe	
15036-6	Rear Shock Absorber Assy	

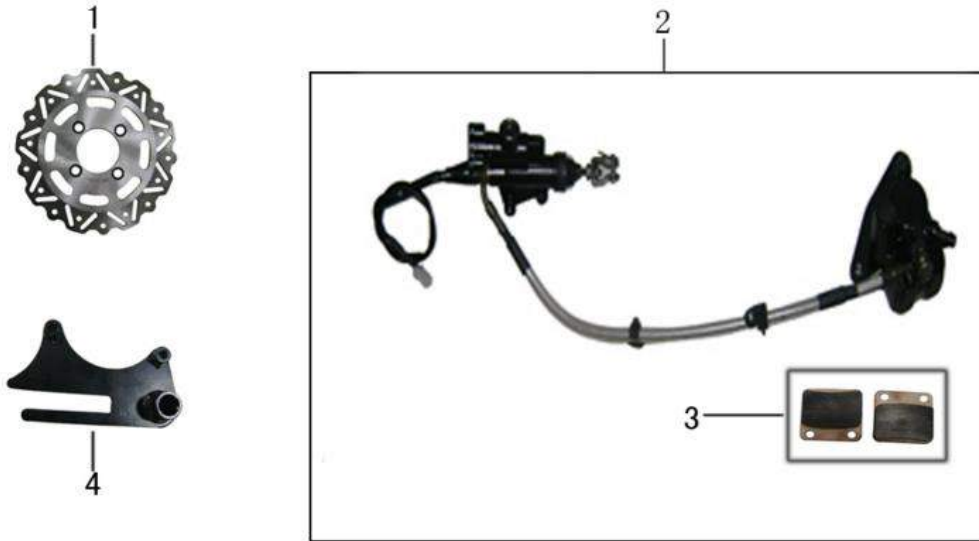


F-07 前液压制动器总成 FRONT HYDRAULIC BRAKE ASSY



15037-1	Front Hydraulic Brake Assy	
15037-2	Front Brake Disc	
15037-3	Front Brake Lever	
15037-4	Front Brake Pad	

F-08 后液压制动器总成 REAR HYDRAULIC BRAKE ASSY



15038-1	Rear Brake Disk	
15038-2	Rear Brake Master Cylinder	
15038-3	Rear Brake Pad	
15038-4	Rear Brake Caliper Plate	



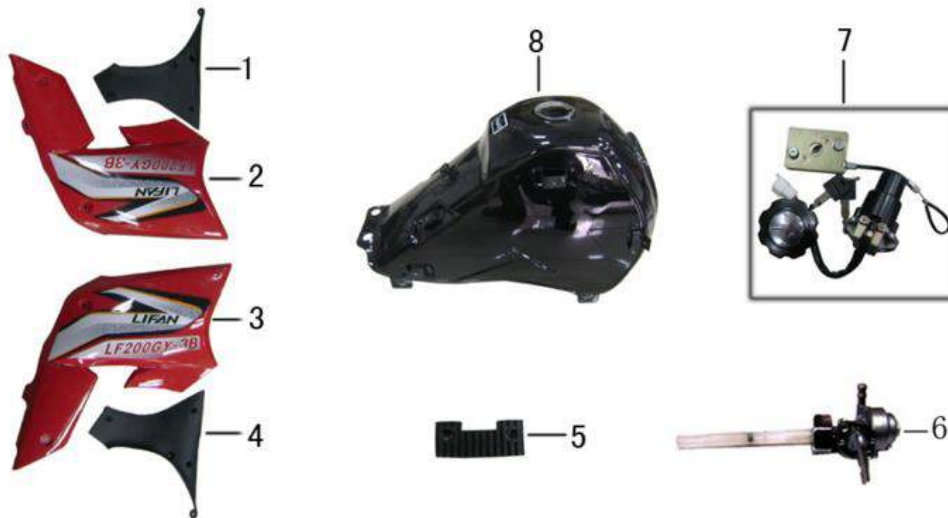
15039-1	Front Wheel Hub Comp	
15039-2	Tire 2.75-21	
15039-3	Front Wheel Rim Comp	
15039-4	Front Wheel Rim	
15039-5	Front Wheel Flap	
15039-6	Tube 2.75-21	
15039-7	Outside Spoke Set 18 pc	
15039-8	Inside Spoke Set 18pc	
15039-9	Front Axle	
15039-10	Front Wheel Bush,LH	
15039-11	Speedometer Gear Case Set	

F-10 后轮总成 REAR WHEEL ASSY



150310-1	Outside Spoke Set 18 pc	
150310-2	Inside Spoke Set 18 pc	
150310-3	Rear Tyre	
150310-4	Rear Wheel Rim Comp	
150310-5	Rear Wheel Rim	
150310-6	Rear Wheel Flap	
150310-7	Rear Tube	
150310-8	Sprocket 428-46	
150310-9	Collar	
150310-10	Rear Axle	
150310-11	Rear Wheel Dust Ring	
150310-12	Rear Wheel Hub	

F-11 油箱总成 FUEL TANK



150311-1	Fuel Tank Cover Lining LH	
150311-2R	Fuel Tank Cover LH - Red	
150311-2G	Fuel Tank Cover LH - Green	
150311-2BA	Fuel Tank Cover LH-Black	
150311-3R	Fuel Tank Cover RH - Red	
150311-3G	Fuel Tank Cover RH - Green	
150311-3BA	Fuel Tank Cover RH - Black	
150311-4	Fuel Tank Cover Lining RH	
150311-5	Rear Fuel Tank Cushion	
150311-6	Fuel Cock	
150311-7	Lock Assy	



150311-8	Fuel Tank	
----------	-----------	--

F-12 座垫 SEAT



150312-1	Seat Assy	
150312-2	Tool Kit	
150312-3	Air Cleaner Assy	
150312-4	Air Cleaner Element Set	
150312-5	Rear Carrier Weldment	

F-13 排气消声器总成 EXHAUST MUFFLER ASSY



150313-1	Muffler Gasket	
150313-2	Exhaust Pipe Comp	
150313-3	Muffler Comp	
150313-4	Exhaust Pipe Guard	
150313-5	Exhaust Clamp	

F-14 侧盖 SIDE COVER



150314-1R	Side Cover RH - Red	
150314-1G	Side Cover RH - Green	
150314-1BA	Side Cover RH - Black	
150314-2R	Side Cover LH - Red	
150314-2G	Side Cover LH - Green	
150314-2BA	Side Cover LH - Black	
150314-3R	Rear Shield - Red	
150314-3G	Rear Shield - Green	
150314-3BA	Rear Shield - Black	

**F-15 后挡泥板 REAR FENDER**



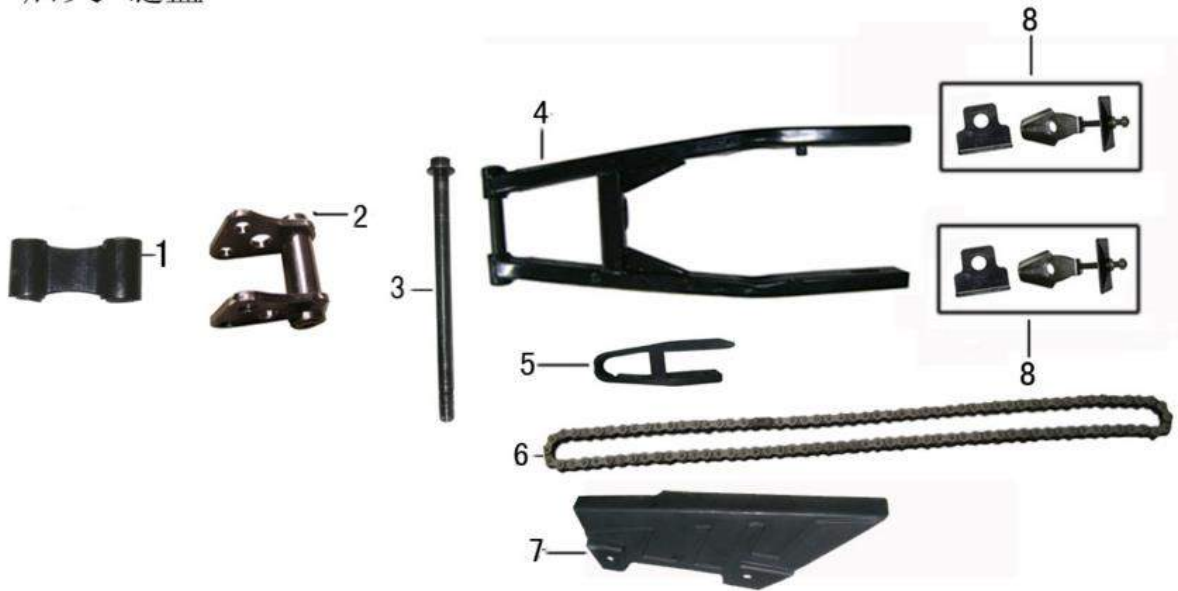
150315-1	Rear Fender Panel	
150315-2	Rear Fender Rear Body	
150315-3	Rear License Plate Bracket	
150315-4	Washer Rubber	
150315-5	Rear Reflector	



150316-1	Rear Brake Pedal Comp	
150316-2	Side Stand Spring	
150316-3	Side Stand	
150316-4	Front Right Footrest Assy	
150316-5	Rear Right Footrest Assy	
150316-6	Front Left Footrest Assy	
150316-7	Rear Left Footrest Assy	
150316-8	Rear Brake Pedal Spring	

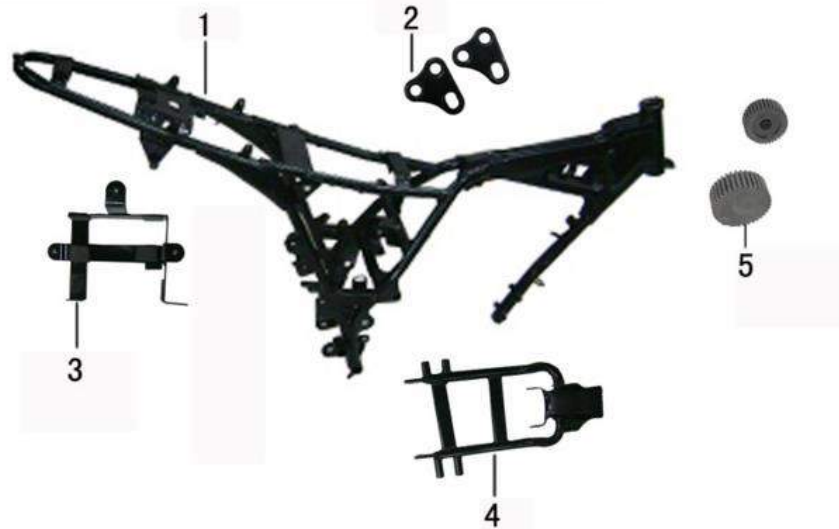


F-17 后叉 链盒 REAR FORK & CHAINCASE



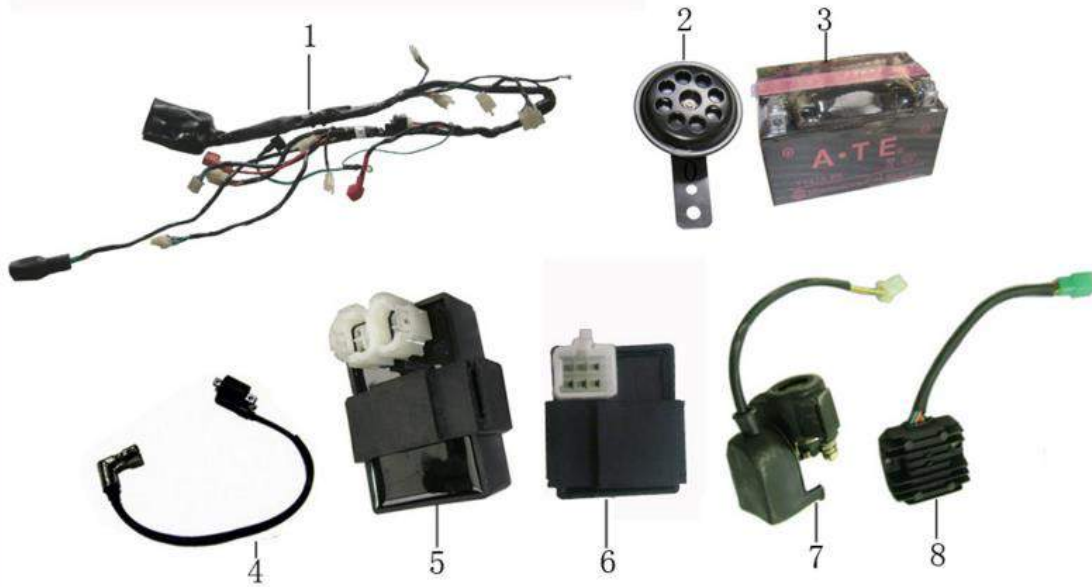
150317-1	Rear Shock Absorber Rocker Pull-Rod Comp	
150317-2	Rear Shock Absorber Rocker Assy	
150317-3	Rear Fork Axle	
150317-4	Rear Fork Weldment	
150317-5	Chain Guide	
150317-6	Chain	
150317-7	Chaincase	
150317-8	Chain Adjuster Set	

**F-18 车架焊接总成 FRAME BODY WELDMENT**



150318-1	Frame Front Body Assy	
150318-2	Engine Front Connecting Plate RH	
150318-3	Battery Stay Comp	
150318-4	Frame middle Body Assy	
150318-5	Fuel Tank Front Cushion	

**F-19 电器 ELECTRICAL ELEMENTS**



150319-1	Main Cable	
150319-2	Horn	
150319-3	Battery	
150319-4	Ignition Coil	
150319-5	Ignition Controller	
150319-6	Flashing Relay	
150319-7	Starting Relay	
150319-8	Regulator	

# 162FMJ-JM

**Engine Parts**  
**LF150GY-3B**



**UNIVERSAL**  
**H A R D W A R E®**

Box 585, Center Road  
Spanish Lookout  
Tel 501 823 0254  
[sales@universalhardware.bz](mailto:sales@universalhardware.bz)

3380 Chetumal Street  
Belize City  
Tel 501 224 4140  
[salesbz@universalhardware.bz](mailto:salesbz@universalhardware.bz)



16231-1	Cylinder Head Comp	
16231-2	Cylinder Head Cover Gasket	
16231-3	Cylinder Head Cover	
16231-4	Spark Plug D8TC (D8EA NGK	
16231-5	Bolt M6x28	
16231-6	Stud M8x40	
16231-7	Bolt M6x12	
16231-8	Cylinder Head Cover Oil Passage Washer	
16231-9	Cylinder Head Washer	
16231-10	Nut Cap	
16231-11	Cylinder Head Screw M8x89	
16231-12	Cylinder Head Washer 8	
16231-13	Inlet Pipe	
16231-14	Bolt M6x22	
16231-15	Ignition Coil Wire Clip	
16231-16	Bolt M6x22	
16231-17	Cylinder Block Comp	
16231-18	Gasket, Ylinder Block	
16231-19	Cylinder Head Gasket Comp	
16231-20	Cylinder Head Dowel Pin	

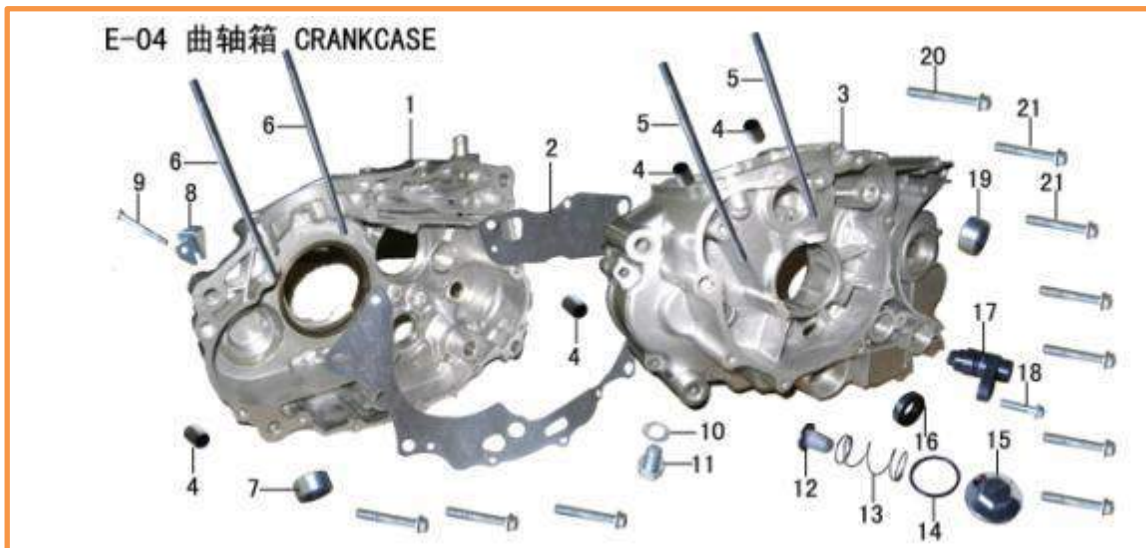




16232-1	Valve Stem Seal	
16232-2	Lower Rocker O-Ring	
16232-3	Timing Driven Gear Set	
16232-4	Rocker Bracket Comp	
16232-5	Lower Rocker	
16232-6	Lower Rocker Shaft	
16232-7	Camshaft	
16232-8	Camshaft Spring	
16232-9	Rocker Arm Pusher	
16232-10	Intake Valve	
16232-11	Exhaust Valve	
16232-12	Valve Outer Spring	
16232-13	Camshaft Stopper	
16232-14	Valve Spring Retainer	
16232-15	Valve Spring Outer Seat	
16232-16	Bolt M6×12	
16232-17	Valve Split Cone	
16232-18	Lower Rocker Wave Washer	
16232-19	Bolt M8×30	
16232-20	Camshaft O-Ring	
16232-21	Camshaft Adjusting Shim	
16232-22	Rocker Shaft Washer	
16232-23	Valve Inner Speing	
16232-24	Push Rod Support	
16232-25	Valve Spring Inner Seat	



16233-1	Crankcase Cover Comp RH	
16233-2	Crankcase Cover Gasket RH	
16233-3	Crankcase Cover Dowel Pin RH	
16233-4	Plasitc Dipstick	
16233-5	Clutch Lever Comp	
16233-6	Clutch Lever Spring	
16233-7	Starting Shaft Oil Seal	
16233-8	Clutch Lever O-Ring	
16233-9	Dipstick O-Ring	
16233-10	Bolt M6×40	
16233-11	Bolt M6×55	
16233-12	Clutch Cam	
16233-13	Sight Glass	

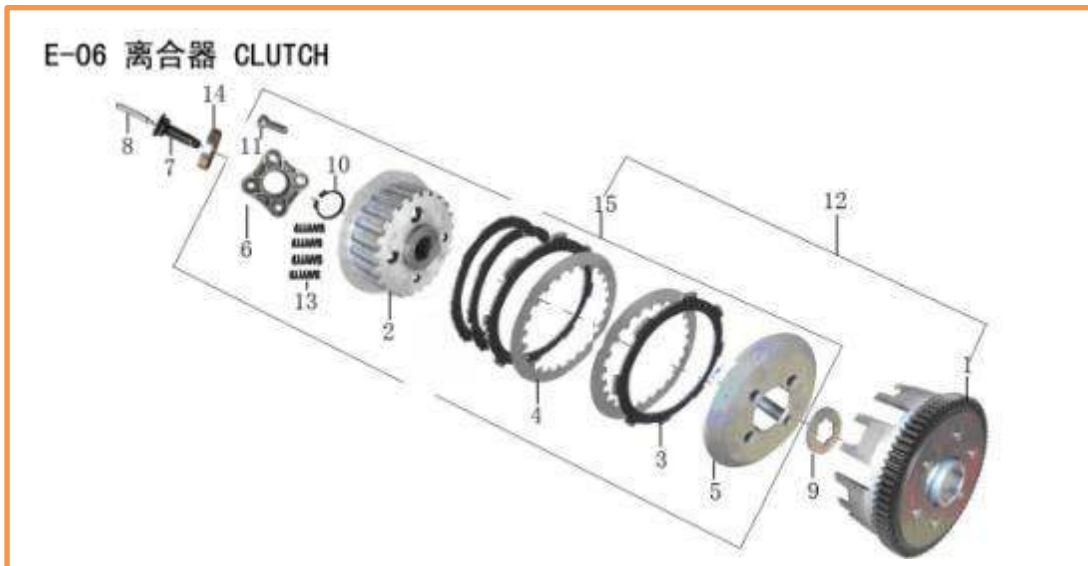


16234-1	Crankcase Comp RH	
16234-2	Crankcase Gasket	
16234-3	Crankcase Comp LH	
16234-4	Crankcase Dowel Pin	
16234-5	Cylinder Stud B	
16234-6	Cylinder Stud A	
16234-7	Needle Bearing HK 212810	
16234-8	Clutch Cable Adjusting Stay	
16234-9	Bolt M6x55	
16234-10	Plug Drain Washer	
16234-11	Crankcase Drain Plug	
16234-12	Gauze Set	
16234-13	Gauze Spring	
16234-14	Gauze Cover O-Ring	
16234-15	Gauze Cover	
16234-16	Gearshift Shaft Oil Seal	
16234-17	Pin-Keeping Body Comp	
16234-18	Bolt M6x20	
16234-19	Needle Bearing HK101400	
16234-20	Bolt M6x100	
16234-21	Bolt M6x50	

**E-05 机油泵、机油滤清器 OIL PUMP & OIL FILTER**



16235-1	Oil Filter Washer (φ20×φ27×0.5)	
16235-2	primary drive Gear	
16235-3	Oil Filter Rotator Comp	
16235-4	Oil Filter Cover Gasket	
16235-5	Oil Filter Cover	
16235-6	Primary Drive Gear Thrust Washer	
16235-7	primary drive gear Locknut	
16235-8	oil pump O-ring (φ9.4×φ2.4)	
16235-9	Oil Pump Assy	
16235-10	Screw M6×30	
16235-11	Screw M5×12	
16235-12	Oil Filter Assy	



16236-1	Clutch Outer Comp	
16236-2	Clutch Center Comp	
16236-3	Clutch Friction Disc Set	
16236-4	Clutch Plate	
16236-5	Clutch Pressure Plate	
16236-6	Clutch Lifter Plate	
16236-7	Clutch Pusher	
16236-8	Clutch Lifter	
16236-9	Splined Washer	
16236-10	Circlip 17	
16236-11	Bolt M5×22	
16236-12	Clutch Main Body	
16236-13	Spring Clutch	
16236-14	Bearing 16003	
16236-15	Clutch Center Assy	

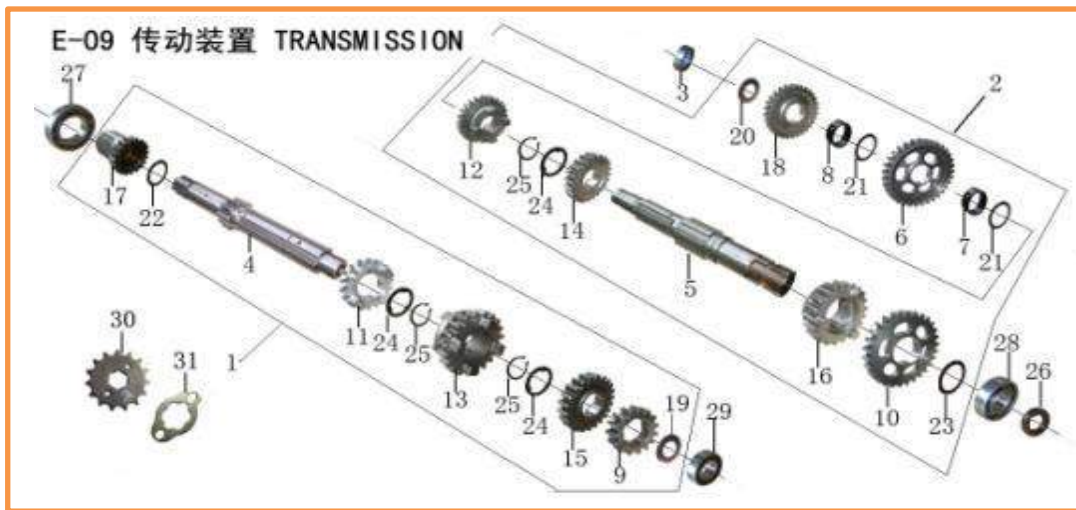


16237-1	Crankcase Cover LH	
16237-2	Crankcase Cover Dowel Pin RH	
16237-3	Needle Bearing Hk1010	
16237-4	Indicator Oil Seal	
16237-5	Gear Indicator Comp	
16237-6	Magento Stator Comp	
16237-7	Wire Clamp	
16237-8	Bolt M6x22	
16237-9	Bolt M6x12	
16237-10	View Hole Plug	
16237-11	Left Crankcase Cover Brand	
16237-12	Magneto Screw	
16237-13	Crankshaft Oil Seal LH	
16237-14	Magneto Rotor Assy	
16237-15	Crankcase Cover Gasket LH	
16237-16	Plug O-Ring	
16237-17	View Hole Plug O-Ring	
16237-18	Idler Cover O-Ring	
16237-19	Screw M5x16	
16237-20	Screw M5x28	
16237-21	Bolt M6x28	
16237-22	Bolt M6x45	
16237-23	Idlercover	
16237-24	Rear Cover LH	



16238-1	Crankshaft & Connecting Rod	
16238-2	Piston Ring Set	
16238-3	Piston	
16238-4	Piston Pin	
16238-5	Piston Pin Circlip	
16238-6	Crankshaft Bearing RH	
16238-7	balance Shaft Assy	
16238-8	timing drive Sprocket	





16239-1	Mainshaft Comp	
16239-2	Countershaft Comp	
16239-3	Bearing NK152312	
16239-4	Mainshaft	
16239-5	Countershaft	
16239-6	Countershaft 1st Gear	
16239-7	Countershaft 1st Gear Bush	
16239-8	Starting Mid-Gear Bush	
16239-9	Mainshaft 2nd Gear	
16239-10	Countershaft 2nd Gear	
16239-11	Mainshaft 3rd Gear	
16239-12	Countershaft 3rd Gear	
16239-13	Mainshaft 4th Gear	
16239-14	Countershaft 4th Gear	
16239-15	Mainshaft 5th Gear	
16239-16	Countershaft 5th Gear	
16239-17	Starting Driven Gear Comp	
16239-18	Mid-Gear Comp., Starting	
16239-19	Mainshaft Washer	
16239-20	Starting Mid-Gear Washer	
16239-21	Countershaft Washer	
16239-22	Starting Driven Gear Washer	
16239-23	Countershaft Washer II	
16239-24	Mainshaft Spline Washer	
16239-25	Mainshaft Circlip	
16239-26	Countershaft Oil Seal	
16239-27	Bearing 6006	
16239-28	Bearing 6204	
16239-29	Bearing 6202 RS	
16239-30	Output Sproket	
16239-31	Sprocket,Locating Plate	

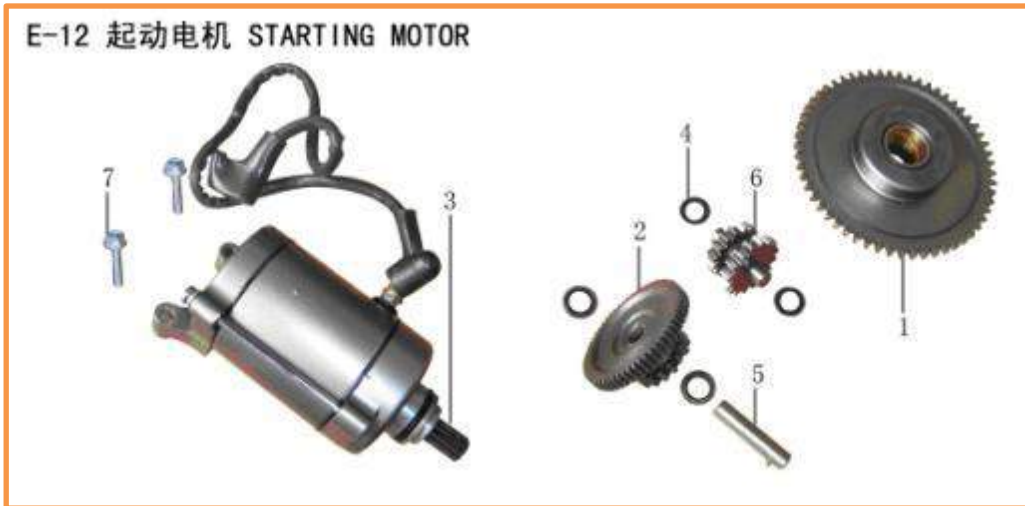


162310-1	Gearshift Rod Assy	
162310-2	Kick-Starter Assy	
162310-3	Circlip 16	
162310-4	Starting Shaft Assy	
162310-5	Starting Shaft	
162310-6	Ratchet	
162310-7	Starting Shaft Washer I	
162310-8	Starting Shaft Spring	
162310-9	Starting Shaft Spring Seat	
162310-10	Starting Return Sparing	
162310-11	Starting Shaft Collar	
162310-12	Spring Seat Comp	
162310-13	Starting Shaft Washer II	
162310-14	Starting Shaft Snap Ring	
162310-15	Starting Shaft Washer III	
162310-16	Starting Shaft Washer IV	
162310-17	Starting Gear	



162311-1	Gearshift Shaft Assy	
162311-2	Gearshif Shaft Washer	
162311-3	Fork Shaft	
162311-4	Fork III	
162311-5	Fork II	
162311-6	Fork I	
162311-7	Gearshift Cam	
162311-8	Gearshift Cam Pin	
162311-9	Gearshift Drum	
162311-10	Gear Indicator Contact Point Comp	
162311-11	Bolt M6x20	
162311-12	Gear Setting Plate Comp	
162311-13	Setting Plate Torsion Spring	
162311-14	Gearshift Drum Comp	
162311-15	Bolt M6x30	
162311-16	Needle Bearing NK2110	

**E-12 启动电机 STARTING MOTOR**



162312-1	Starting Clutch Gear Comp	
162312-2	Dual-Gear Comp. I	
162312-3	Electric Starter	
162312-4	Dual-Gear Washer	
162312-5	Dual-Gear Shaft Comp	
162312-6	Dual-Gear II	
162312-7	Bolt M6x28	


E-13 化油器总成 CARBURETOR



162313-1	Carburetor	
----------	------------	--

# **LF150GY-3B**

## **Parts Catalog**

- **Always wear a helmet while driving Motorcycles**
  - **Always have your headlights on while driving, even during the day – for safety reasons and longer battery life**
  - **Make sure all lights work properly at all times**
  - **Always drive with Insurance Coverage, Licensed Motorcycle and Motorcycle Driver's License**
  - **Change oil (SAE15W/40SE) after the first 500 KMs and after every 2,000 KMs**
  - **Use Regular Gas**
  - ***Always Drive with Awareness for SAFETY.***
- 



## Meilun Motorcycle Warranty Policy

Meilun Motorcycles are under 3 months or 2,000 KMs warranty – whichever comes first. Specific items under warranty are:

- The Engine, and its related parts
- Cables, Horn, Switches
- And any other manufacturer's defect on motorcycle.

The following items are *not* covered under this warranty:

- Tires, Tubes, Chain & Sprockets
- Covers, Mirrors, Light Lenses, Alarm System
- Battery – unless convincing evidence shows defect
- And any other damages or wear & tear occurring under the owner's care.